



PRODUCT OVERVIEW

The PEM1500-LP is a low profile power extraction module, with complete IEEE 802.3af Power-Over-Ethernet (PoE) standard compliance. They designed to extract power from CAT5 or higher Ethernet cable when sourced from a IEEE 802.3af compliant Power Sourcing Equipment (PSE).

The PEM1500-LP series Powered Device (PD) modules provides full PoE signature and power classification as required by the PSE for granular power management.

Its high efficiency DC-DC converter provides a well regulated low noise and low ripple output with in-built overload and continuous output short-circuit protection.

The PEM1500-LP series provides a quick, easy, and low cost method for Ethernet equipment manufacturers to "PoE enable" their equipment, and removes the need for a local equipment power source, significantly reducing installation costs.

PRODUCT FEATURES

- Remote shutdown, simple Aux. power
- Continuous short circuit protection
- Low Profile, 7.5mm height above PCB
- Overload protection¹
- No external components required
- 13 watt output load²
- 1500 Volt DC isolation (Input to Output)
- 5V, 12V DC output voltage models
- IEEE 802.3af compliant
- Class 0, 1, 2, 3 Power Classification support
- Wide input voltage (36V to 57V DC)
- RoHS compliant
- Low output ripple and noise
- Low cost

PRODUCT SELECTOR

Part Number	Marking	Output Voltage ³	Efficiency ⁴ (%)	Power (Maximum) ⁷	Feature
		(Volts DC)		(Watts)	
PEM1505-LPA	5LA	5	80	10	Without remote shutdown
PEM1512-LPA	12LA	12	82	12.95	Without remote shutdown
PEM1505-LPC	5LC	5	80	10	With built in remote shutdown
PEM1512-LPC	12LC	12	82	12.95	With built in remote shutdown

ABSOLUTE MAXIMUM RATINGS^{5, 6}

Supply Voltage (V _{CC})	0V – 57V DC
Storage Temperature (T _S)	-25 °C ~ 100 °C
Output Voltage (V _{OUT})	0V to controlled output voltage (operating or non-operating)

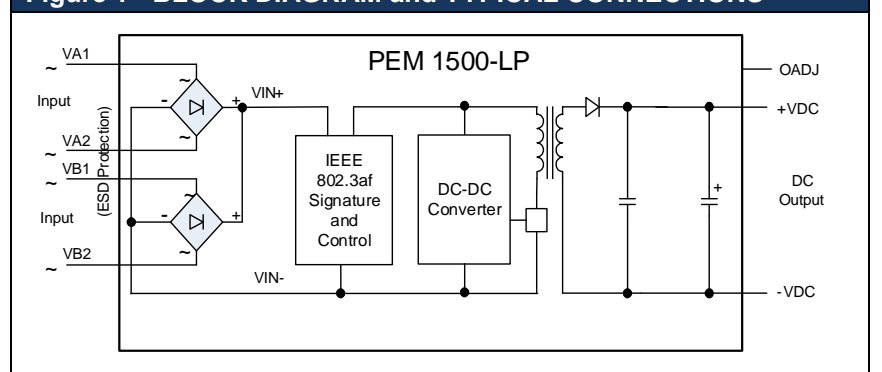
INPUT CHARACTERISTICS

Parameter	Symbol	Min.	Typ ^{4, 5}	Max.	Units
Input Voltage ⁷	V _{IN}	36	48	57	Volts
Under Voltage Lockout	V _{UVLO}	30		36	Volts
Operating Temperature ⁸	T _{OP}	-20	25	70	°C
802.3af Power Classification ⁹		Programmable Class 0, 1, 2, or 3			

DC OUTPUT CHARACTERISTICS

Parameter	Symbol	Min.	Typ ^{4, 5}	Max.	Units
Line Regulation	V _{LNRG}		0.2%		
Load Regulation	V _{LDRG}		0.5%		
Output Ripple and Noise ⁵	V _{RIP}		80		mV p-p
Isolation Voltage	V _{ISOL}			1500	V DC
Temperature Coefficient (Slope)	TC		100	300	ppm °C

Figure 1 - BLOCK DIAGRAM and TYPICAL CONNECTIONS



¹ If maximum power is exceeded, the PEM1500 will operate in over current mode and will auto recover when the over load condition is removed.

² In 12V model

³ Output voltage typical $\pm 3\%$ at T_A of 25°C with a nominal input voltage and rated output current.

⁴ Indicative values at nominal V_{in} at 67% load

⁵ All specifications typical are at T_A of 25°C with a nominal input voltage and rated output current unless otherwise noted. These are meant as a design aid only and are indicative, and not guaranteed.

⁶ Exceeding the absolute maximum ratings may cause permanent damage to the product. We do not imply functional operation under these conditions. These ratings assume free air flow.

⁷ With minimum load 1Watt or 100mA whichever is higher

⁸ Please see section 8: Heat Generation.

⁹ Please see section 2: Powered Device Signature and Classification for more details.

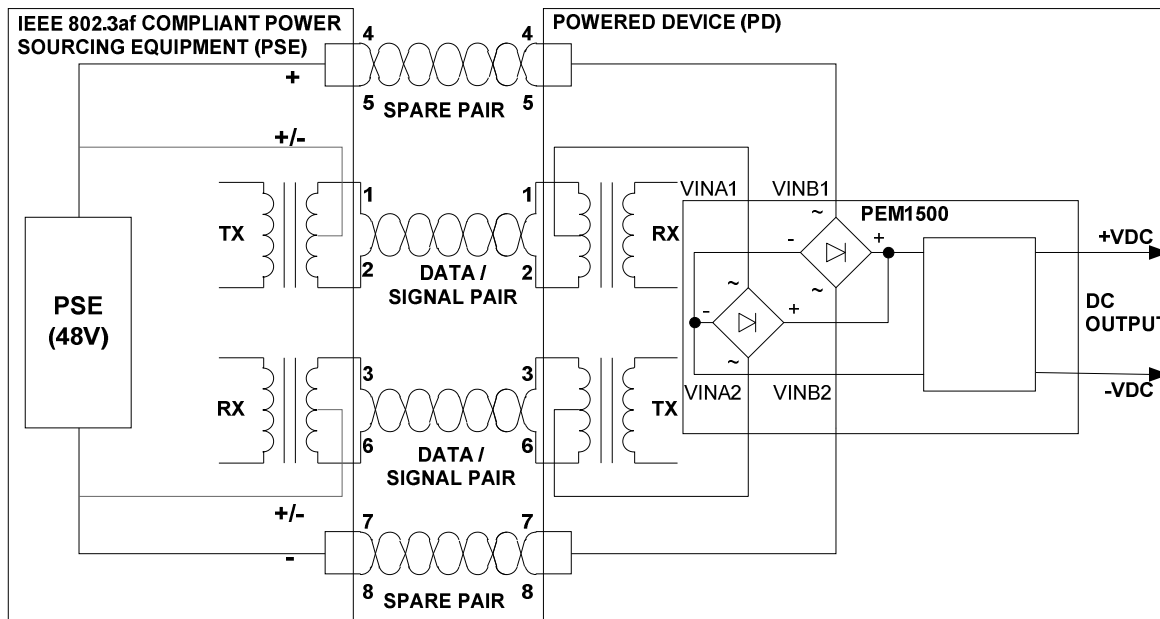
FUNCTIONAL DESCRIPTION

1. Inputs

The PEM1500-LP is compatible with all IEEE 802.3af compliant Power Sourcing Equipment (PSE) and supports the different power injection options of Data/Signal pair (Mode A) or Spare Pair (Mode B). See Figure 2 – Typical System Configuration. As per IEEE 802.3af, it is specified that the PSE does not apply power to the both outputs at the same time i.e. 4 pair injection. (Refer to IEEE802.3af standards for more information).

Figure 2 – Typical System Configuration

In Mode A – Signal Pair injection, the signal lines carry both data and power. In Mode B – Spare Pair injection, the Signal pair carries only data, and the spare pair carries power.



2. Powered Device (PD) Signature and Classification

When the PEM1500-LP is connected to a Cat 5e or greater Ethernet cable from an IEEE 802.3af compliant Power Sourcing Equipment (PSE), Endspan or Midspan, it will automatically present a Powered Device (PD) signature to the PSE, as and when requested. The PSE will then recognise that a PD is connected to that line and supply power.

To help in proper power level provisioning and improved power management, the IEEE 802.3af standard provides for PoE powered devices to inform the PSE the required power levels via a Class system. The classes are defined as per Table 1 below. The PEM1500-LP allows for programming the Class by placing a 1/16W or greater and 1% tolerance resistor as detailed in Table 1.

Resistance values shown are indicative. Due to variable resistance of wire on the input connector, fine tuning is required to get the overall specified resistance. Power classification can be tested and verified as per the test set up detailed in Section 9. Required I_{CL} (Classification Current) values are given in table 1.

Table 1 – Power Classification programming				
PoE Power Class	Required PD Power	1/16W or greater and 1% tolerance resistor between		
		Pin 2 (VINA –) and Pin 6 (CP2) (for Mode A PoE injection)	Pin 4 (VINB –) and Pin 6 (CP2) (for Mode B PoE injection)	Pin 5 (CP1) and Pin 6 (CP2)
0	0.44W ~ 12.95W	Do not connect	Do not connect	Any value 10KΩ to 100 KΩ
1	0.44W ~ 3.84W	461KΩ	461KΩ	Do not connect
2	3.84W ~ 6.49W	235KΩ	235KΩ	Do not connect
3	6.49W ~ 12.95W	150KΩ	150KΩ	Do not connect
4	Reserved for 802.3af	Reserved	Reserved	Reserved

Important : Do not connect Pin 2 or Pin 4 to Pin 5 at any time. Do not connect Pins 4 and 5 and 6 at the same time. Connect Pin 5 only to Pin 6 and only as per Table 1.

3. Isolation

IEEE802.3af section 33.4.1 calls for a Powered Device (PD) to meet safety isolation requirement by meeting the electrical strength test of IEC 60950 sub clause 6.2. Infomart's® PoweredEthernet™ PEM1500-LP modules meet or exceed 1500V impulse test. This is also referred to as 'Hi Pot Test', 'Flash Tested', 'Withstand Voltage', 'Proof Voltage', 'Dielectric Withstand Voltage' & 'Isolation Test Voltage'.

FUNCTIONAL DESCRIPTION

4. Pin Connections

INPUT CONNECTORS (J1) (Maximum current 1A per pin)		OUTPUT CONNECTORS (J2) (Maximum current 1A per pin)	
1	VINA1. This pin connects to Ethernet cable spare pair (for Mode A PoE injection). Not polarity sensitive.	1	-VDC. The ground return for the +VDC output. (Internally connected to pins 2).
2	VINA2. This pin connects to Ethernet cable spare pair (for Mode A PoE injection). Not polarity sensitive.	2	-VDC. The ground return for the +VDC output. (Internally connected to pins 1).
3	VINB1. This pin connects to the output of the data transformer centre tap (for Mode B PoE injection). Not polarity sensitive.	3	OADJ. The output voltage can be adjusted from its nominal value, by connecting an external resistor from this pin to either the +VDC pin or -VDC pin. For more details please see 8.
4	VINB2. This pin connects to the output of the data transformer centre tap (for Mode B PoE injection). Not polarity sensitive.	4	NC Do not connect for PEM1500-LPA RSD for PEM1500-LPC. This pin can be used for remotely shutting down the module from the target device. Please see 6.
5	CP1. Connect this pin only as per instructions in Table 1.	5	+VDC. This pin provides the regulated output from the DC/DC converter. (Internally connected to pin 6).
6	CP2. Connect this pin only as per instructions in Table 1.	6	+VDC. This pin provides the regulated output from the DC/DC converter. (Internally connected to pin 5).

To maintain isolation integrity, always connect respective input and output poles only via X or Y safety capacitor. Maintain isolation barrier on motherboard PCB as per physical package. Maintain 2mm isolation around the mounting hole pads (ref figure 4).

5. Connectors

The connectors used on the module are standard CMX125 series wafer or relay-mate-connectors. The matching header or cable housing is the CX-H125-06 fitted with CX-T125-F terminal pins.

Please visit Cherg Weei Technology Corporation website www.cwe.com.tw for detailed purchase information on these connectors.

6. Auxiliary power supply using Remote Shut Down pin (RSD)

The PEM1500-LP series is featured with built in Remote Shut Down option, which can be used in case the host board need to shut down PEM1500-LPC. This feature is helpful with host boards having auxiliary power supply.

Using the remote shut down feature the designer can decide the priority of POE power or auxiliary power. For example, when the auxiliary power supply is live, the host board can shut down the PEM1500-LPC output. For connections refer below figure 3.

To shut down the PEM1500-LPC the host board needs to pull the RSD pin from Zero to High. When the RSD pin is activated, the output of the PEM1500-LPC will switch off.

Under default conditions, the target device draws power from the PEM module via the Schottky diode D1. (D1 to be chosen so as to have a forward voltage drop of maximum +0.5V). Resistor R1 is used to increase the output voltage at pin +VDC so that the voltage drop due to D1 gets compensated and provides desired output to target device.

As a built in feature in PEM1500-LPC, whenever the auxiliary power supply is in an on-state and delivering the desired voltage, it pulls the RSD pin HIGH. The RSD in HIGH state shuts down the output of the PEM module internally. The auxiliary supplies power to the target device via Schottky diode D2. The PEM module will continue to stay in an internally off state as long as RSD pin is HIGH.

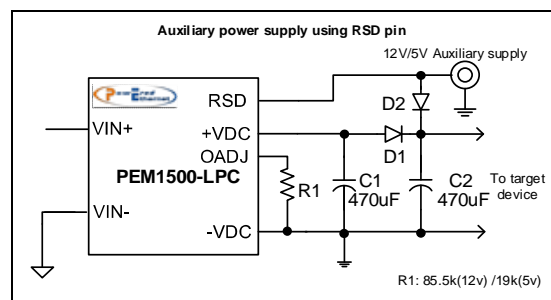


Figure.3

Similarly the RSD feature can be used to initiate a hardware reset by the host board based on SNMP. In this case, connect the RSD pin directly to the host board controller.

7. Gigabit Ethernet

The PEM1500-LP supports interface to a 10/100/1000Tx Gigabit Ethernet network. Contact Infomart for more details.

8. Output voltage adjust

The PEM1500-LP series has an ADJ pin, which allows the output voltage to be increased or decreased from its nominal value.

Value of Resistor between OADJ and +VDC	PEM1505 output	PEM1512 output
Open Circuit	5.0V	12.0V
Approximate Resistor Value given in ()	4.5V (15.8K)	11.0V (100K)
Approximate Resistor Value given in ()	-	9.0V (30K)

Value of Resistor between OADJ and -VDC	PEM1505 output	PEM1512 output
Open Circuit	5.0V	12.0V
Approximate Resistor Value given in ()	5.5V (18.6K)	13.0V (51K)
Approximate Resistor Value given in ()	-	13.5V (30K)
Approximate Resistor Value given in ()	6V (9.1K)	13.8V (24K)

Resistance value fixed here are indicative. Fine tuning is required to get the specified voltage depending upon the resistance of the wire.

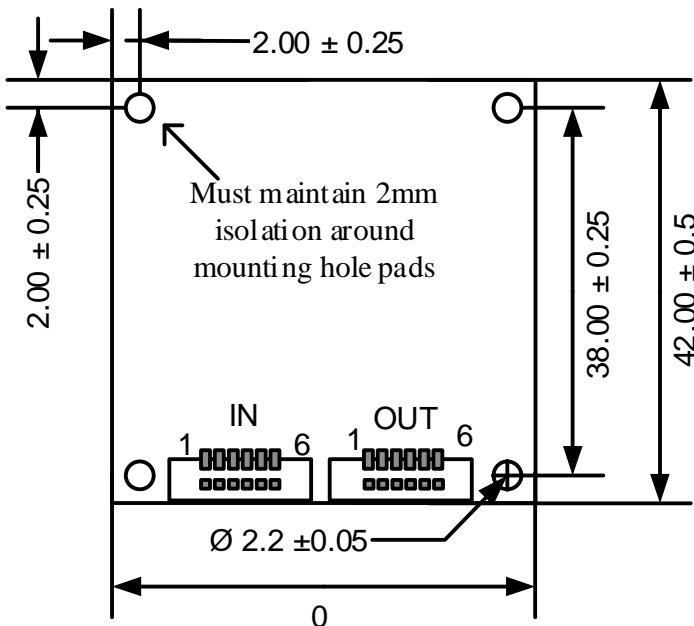
Other values of resistors may be fitted to arrive at a custom voltage, however, a change of more than $\pm 10\%$ from nominal is not recommend or permitted

Figure 4 – PHYSICAL PACKAGE

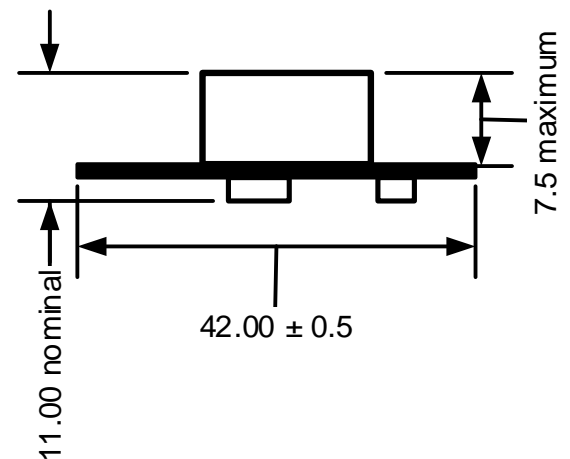
All dimensions in mm and nominal unless stated otherwise.

PEM1500-LP

Dimensions in mm



Top view



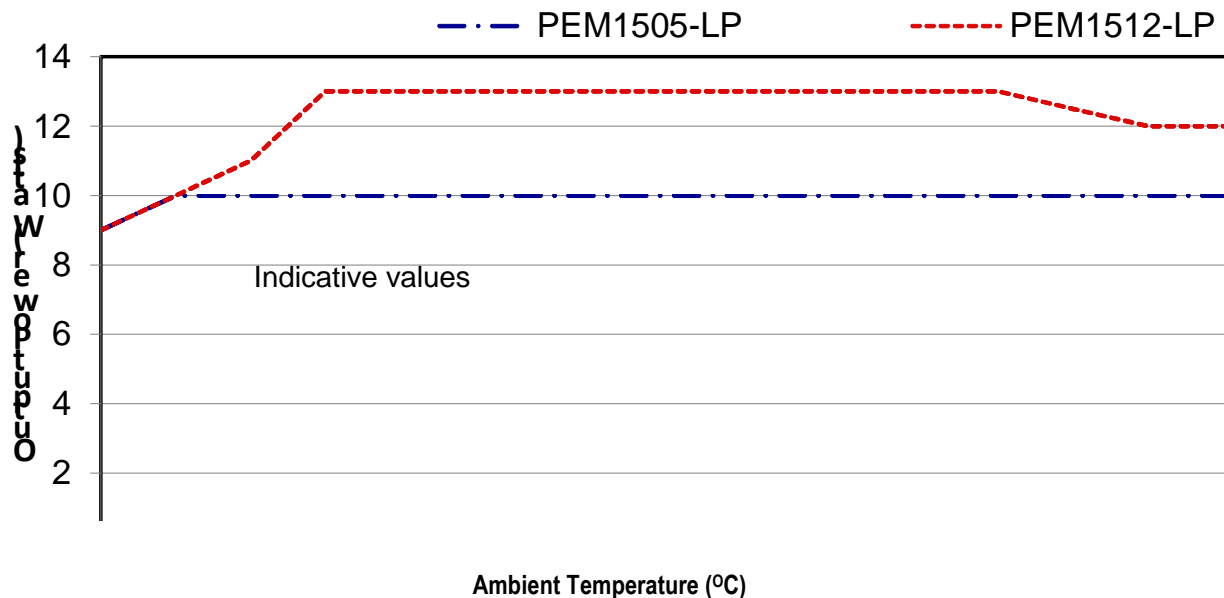
Side view

THERMAL PROFILE

8. Heat Generation

As with any power component, the PEM1500-LP modules generate heat. It is important that adequate ventilation and airflow be taken into consideration at the design stage. The quantum of heat generated by the PEM1500-LP will depend on the output load it is required to drive. The maximum ambient operating temperature is 70°C. *Figure 4* below, shows the thermal performance of the PEM1500-LP with a nominal 48VDC input. The PEM1500-LP thermal performance can be improved by forced airflow cooling over the module and by using a heat sink (a) glued on to the output diodes using a thermal glue. The two methods can be combined.

Figure 5 – Thermal Performance profile at nominal V_{in}



APPLICATION NOTES

Power Over Ethernet (PoE) is a technology for wired Ethernet, the most widely installed local area network technology in use today. PoE allows the electrical power necessary for the operation of each end-device to be carried by data cables along with the data, rather than by separate power cords. Thus, it minimizes the number of wires used to install the network, resulting in lower cost, less downtime, easier maintenance and greater installation flexibility.

The IEEE standard governing PoE is IEEE802.3af. Compliance with this standard ensures inter-operability between devices.

The PEM1500-LP series modules offering a modular solution, incorporating full IEEE802.3af compatibility signature to the PSE and isolated on-board DC/DC converter. The PEM1500-LP series are ideal modular system blocks allowing manufacturers of Ethernet equipment to "PoE enable" their equipment with minimal effort and cost. The PEM1500-LP modules series offer simple and quicker product development, maximising return on investment.

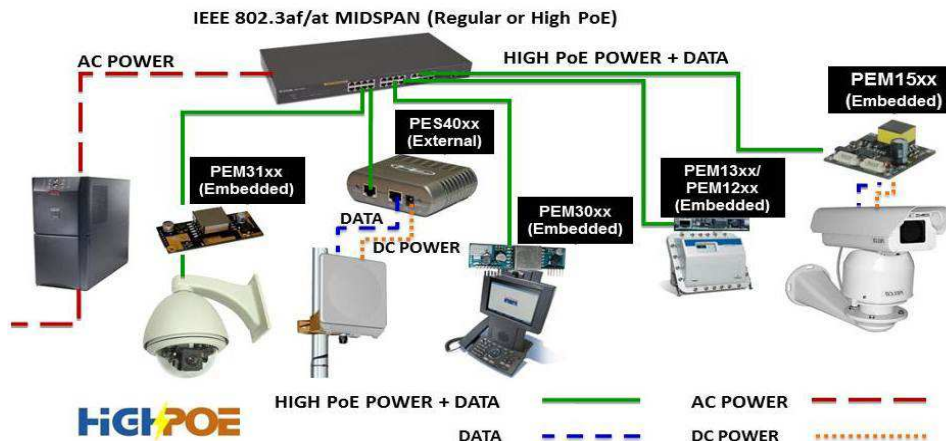
PEM1500-LP can be powered using a user designed power supply which has adequate thermal and over-current protection. It is strongly recommended that only IEEE802.3af compliant power supply equipment be used to prevent damage to the module, which lacks output stage thermal protection.

ESD Protection: It is required that the system designer must provide ESD protection such as an SMAJ58A (uni-directional) or SMAJ58CA (bi-directional) TVS diode at the PEM1500-LP input(s) to prevent damage from over-voltage surges and for system EMC compliance.

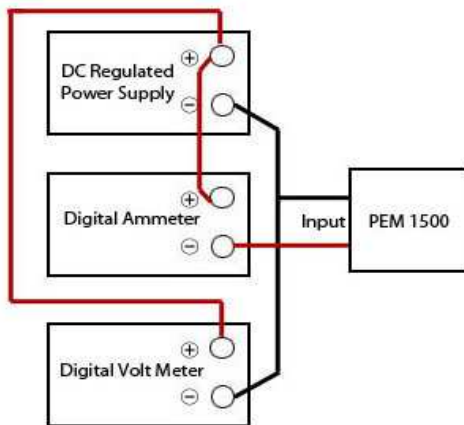
APPLICATION AREAS

- Security and alarm systems,
- Access control systems
- IP Cameras
- Displays
- Public address systems
- Wireless access point
- Environmental control
- Telemetry
- Remote environmental monitoring

Figure 6 – Typical PoE System Configuration



9. Test set up to verify Signature and Classification detection (see table 1).



This test will require a DC regulated power supply that can deliver the required voltages, voltmeter with least count of 0.1V and ammeter with least count of 100 μ A.

Connection set up

Connect the DC regulated power supply to the PEM1500-LP module with the digital voltmeter and ammeter as per the diagram to the left.

Use short wires.

Keep DC regulated power supply at 0V. Turn on all apparatus.

Check Signature

Slowly increase DC regulated power supply to 9V. Ammeter should read between 280 μ A to 368 μ A. If out of bounds adjust the input connector wire length and gauge to adjust wire resistance values to ensure correct levels.

Check Classification

Slowly increase DC regulated power supply in the range between 14.5V ~ 20.5V. Compare ammeter readings to Classification current readings (I_{CL}) specified in Table 1 under Section 2. Adjust the classification resistor to ensure results are within the specifications. If needed, adjust input wire length and/or gauge to further increase or decrease resistance.



Infomart India Pvt. Ltd.
 Infomart Tech Park
 99, 5th Cross, 5th Block, Koramangala
 Bangalore – 560 095, Karnataka
 India
 Tel : +91 80 4111-7200
 Email: pesales@infomartgroup.com

Infomart Technologies
 Americas sales office
 5904, South Cooper St. #104-96
 Arlington, Texas, 76017, USA
 Tel : +1 (682) 234-4600

Infomart® reserves the right to alter or improve the specification, internal design or manufacturing process at any time, without notice. Please check with your distributor or visit our website to ensure that you have the current and complete specification for your product before use. © Infomart India Pvt. Ltd. All rights reserved. This publication, in full or in part, may not be copied, transmitted or stored in a retrieval system, or reproduced in any way including, but not limited to, magnetic, digital, photographic, photocopy, magnetic or other recording means, without prior written permission from Infomart India Pvt. Ltd. Infomart is a registered trademark of Infomart® (India) Pvt. Ltd. PoweredEthernet™ is a trademark of Infomart (India) Pvt. Ltd.